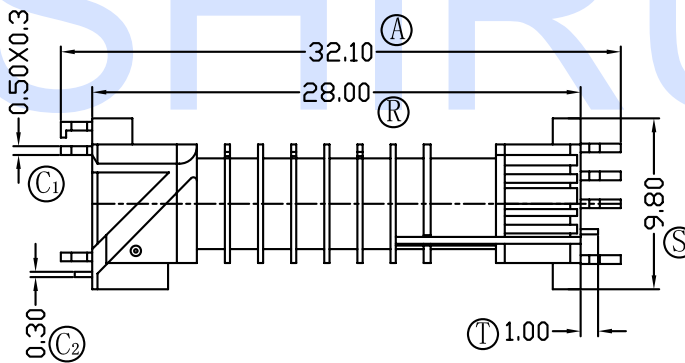
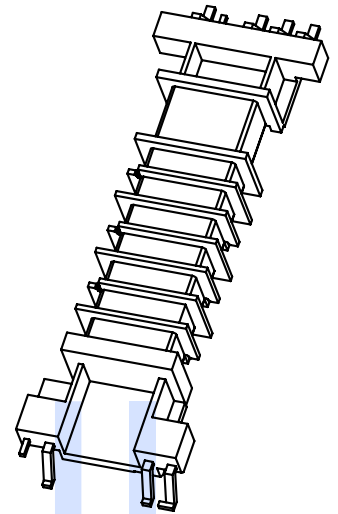
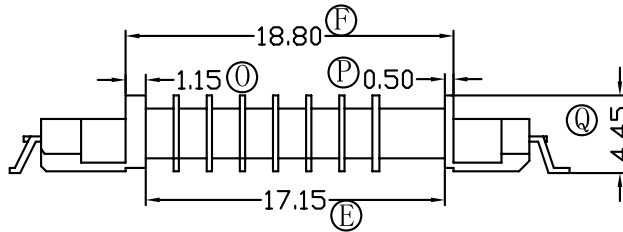
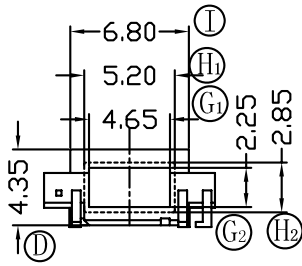
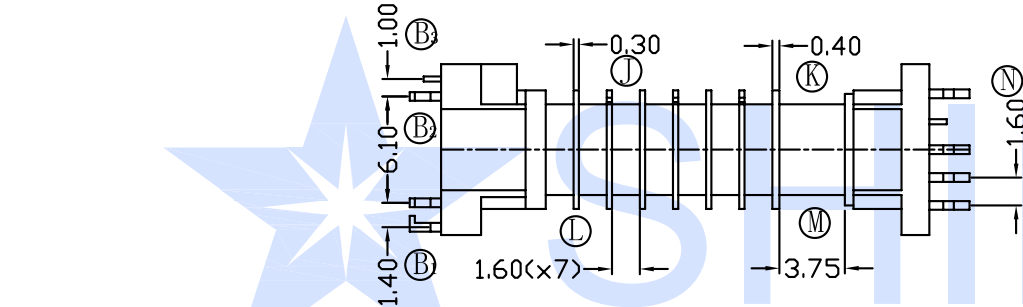


P/N

SR-SMD UI0908

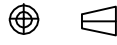


Hefei Shirui Electronic Technology Co.,Ltd

TEL:(0086) 55165232650

sales@shiruitech.com

www.shiruitech.com

SR NO. SR-SMD UI0908	MATERIAL: LCP-E4008	UNIT: mm TOLERANCE	DRN.	WILL H
MODEL NAME! SMD-UI9.8-8S	UL REC: UL 94V-0 ANGLE: \pm °  SCALE 1:1	0 L 4 ± 0.10 4 L 16 ± 0.20 16 L 64 ± 0.30 PIN PITCH ± 0.05	CHD.	IRINA LEE ISSD.